



**HYUNDAI**  
Commercial Vehicles

# EX8



## CAB CHASSIS

### KEY FEATURES

---

Driver's Suspension Seat

Smart Key Entry with Security System

Four Wheel Disc Brakes

Vehicle Dynamic Control (VDC)

High Power Assist Brake (HAB)

Hill Start Assist Control (HAC)

### KEY SPECIFICATIONS

---

**GVM** 7,800kg      **GCM** 11,300kg

**Wheelbase** 4,050mm / 4,400mm

**Engine** 3.9L, Diesel Turbo Euro 5

**Max Power** 127KW (170HP) / 2,500RPM

**Max Torque** 608NM / 1,400 RPM

# "READY BUILT, READY TO WORK"

# ENGINE & DRIVELINE

## ● ENGINE EURO 5 COMPLIANT

Engine	4 Cylinder 16 valve SOHC
Displacement	3,933cc
Max Power	127KW (170HP) @ 2,500 RPM
Max Torque	608NM / 1,400RPM
Turbocharger	Intercooler Turbo Charger
Compression Ratio	17.0 : 1
Bore x Stroke	103mm x 118mm
Injection System	Denso Common Rail System
Emission Control System	Cooled EGR Particulate Matter Catalyst

## ● PERFORMANCE

PERFORMANCE (Calculated)	<b>SUPER CAB LONG</b>
Speed at Max. Engine Speed	136KPH
Grade Ability at Rated GVM	45.3%
Grade Ability at Rated GCM	30.6%
Min Turning Cycle (m)	5.3 / 7.5 / 8.2

## ● TRANSMISSION (T60S6)

Type	5 speed manual Synchronesh on gear 1~5
Gear Ratio	1 <sup>st</sup> 6.701 2 <sup>nd</sup> 3.712 3 <sup>rd</sup> 2.084 4 <sup>th</sup> 1.351 5 <sup>th</sup> 1.000 6 <sup>th</sup> 0.732 Rev 5.983
PTO Opening	PTO provision on LHS of transmission case

## ● AXLES

Front	Type	Reverse Elliot I-Beam
	Capacity	3,100 kg
Rear	Type	Full Floating Type
	Capacity	4,700kg
Final Drive Ratio	4.625 : 1	

## ● SAFETY FEATURES

- High Power Assist Brake (HAB)	- Electronic Stability Control (ESC)
- Easy Hill Start (EHS)	- Anti-lock Braking System (ABS)
- Engine Drag Control (EDC)	- Traction Control System (TCS)
	- Electronic Brake Force Distribution (EBS)

## ● BRAKES

Drum Diameter	Front	320 mm
	Rear	320 mm
- ABS with electronic brake force distribution (EBD)		
Service Brake	Hydraulic with vacuum servo assistance dual circuit	
Exhaust Brake	Vacuum operated, butterfly valve type	
Parking Brake	190mm diameter drum park mounted on rear of transmission	

## ● ELECTRICAL

Type	24V electrical system
Batteries	2 x MF90AH maintenance free batteries connected in line
Alternator	24V, 55Amp
Starter Capacity	5.0KW Starter Motor
12V Power Outlet	12V maximum, 36W

## ● CLUTCH

Type	Hydraulic control, diaphragm spring single dry plate and pre-damper
Disc Diameter	∅ 362 mm

## ● PROPELLER SHAFT (DS300)

TYPE	Tubular, forged steel ends without centre bearing
------	---------------------------------------------------

## ● WHEELS AND TYRES

Wheels Type	Single Front, dual rear 17.5 x 6, 6 Stud
Tyre Size	205/75R 17.5 Front x 2 205/75R 17.5 Rear x 4
Tyre Rating	Steer 1,450kg x 2 Drive 1,400kg x 4
Spare Wheel Tyre	1 Mounted

# CAB & CHASSIS EQUIPMENT

## ● CAB INTERIOR

<b>Driver's Seat</b>	Ergonomic adjustable suspension seat
<b>Passenger Seats</b>	Two seat capacity, independently adjustable seats with a storage console
<b>Seat Headrest</b>	Height adjustable headrest 's
<b>Steering Wheel</b>	Tilt & telescopic adjustable steering wheel column, audio controls with hands free
<b>Cruise Control</b>	Auto integrated - Steering Wheel Mounted
<b>Interior Finish</b>	Fully cloth, padded roof lining and all weather PVC flooring covering
<b>Air Conditioning</b>	Fully integrated with heater and defrost modes, 4 speed fan
<b>Audio</b>	System supports Bluetooth, USB, CD player, Radio, MP3 and AUX
<b>Windows</b>	Electric operated
<b>Power outlets</b>	1 x 12v, 1 x 24V
<b>Keyless Entry</b>	With control door locking and Anti-theft Smart Key
<b>Interior Lamps</b>	2 x 10Watt & 1 x 30Watt
<b>SIWS</b>	Service Indicator Warning System
<b>Sun Visors</b>	Driver's and passenger's
<b>Grips</b>	Door and side pillar entry assist grips

## ● CAB EXTERIOR

<b>Cab Mounting</b>	Semi-floating
<b>Windshield</b>	One piece laminated
<b>Windscreen Wipers</b>	Dual electric 3 speed with washer
<b>Side Glass</b>	With inbuilt UV ray protection
<b>Side Mirrors</b>	Heated main vision mirrors
<b>Headlights</b>	Vertical styled with turn signals
<b>Fog Lamps</b>	Projection type with daytime running lights
<b>Reverse Alarm</b>	Standard feature

## ● CHASSIS FRAME

<b>Type</b>	H frame with channel sectional side rail & Cross Members
<b>Side Rail</b>	Reinforced with outer stiffeners. Main section side rail dimensions: 183mm x 60mm x 6.0mm

## ● SUSPENSION

<b>Front</b>	<b>Type</b>	Semi-elliptic laminated leaf springs
	<b>Size x Leaves</b>	1200 x 70 x 11t-2, 11t-1
	<b>Shock Absorber</b>	Gas filled telescopic type
<b>Rear</b>	<b>Type</b>	Semi-elliptic laminated leaf springs
	<b>Size x Leaves</b>	1250 x 70 x 10t-5, 11t-1
	<b>Rear Spring Helper</b>	990 x 70 x 15t-3

## ● STEERING

<b>Type</b>	4 spoke ball and nut type with telescopic steering column	
<b>Maximum Angle</b>	<b>Inside Wheel</b>	44.5°
	<b>Outside Wheel</b>	32.0°

## ● FUEL TANK

<b>Type</b>	Frame mounted steel with a lockable fuel cap
<b>Capacity</b>	100L

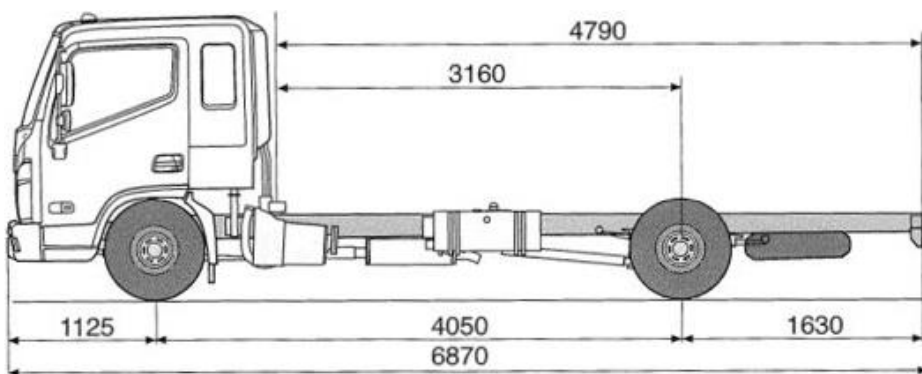
# DIMENSIONS & WEIGHTS

## ● DIMENSIONS (MM)

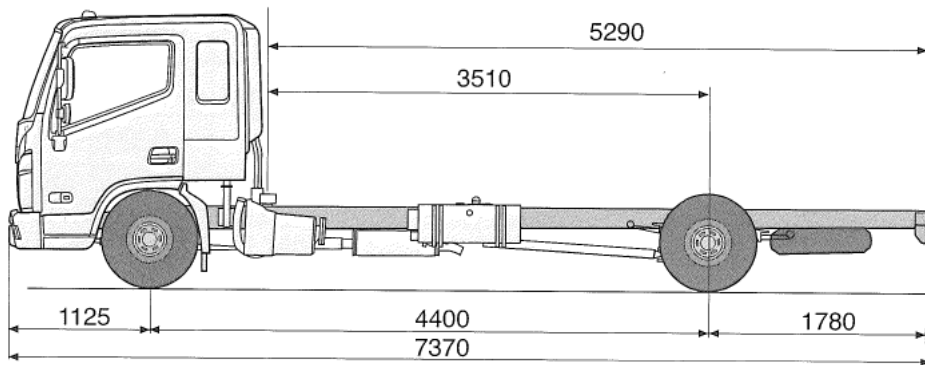
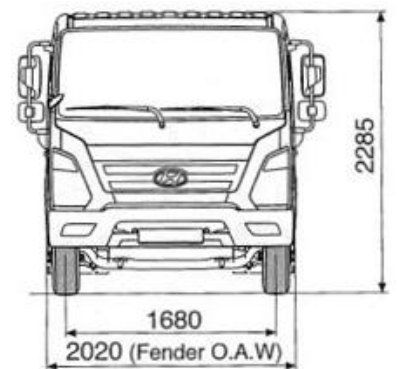
DIMENSIONS (MM)	LWB	ELWB
Wheelbase	4,050	4,400
Overall Length	6,870	7,370
Overall Width	2,020	2,020
Overall Height	2,285	2,290
Front Overhang	1,125	1,125
Rear Overhang	1,630	1,780
Front Track	1,680	1,680
Outside Rear Track	1,650	1,650
Rear Frame Width	860	860
Chassis Height at Rear Axle	770	770
Cab to Axle	3,160	3,510
Cab to End of Frame	4,790	5,290

## ● WEIGHTS (KG)

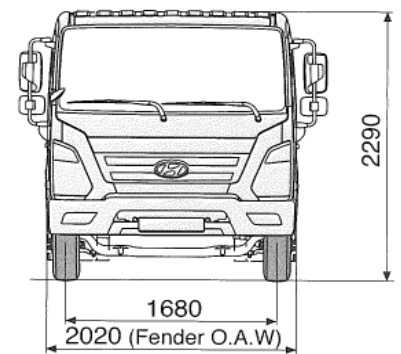
WEIGHTS (KG)	LWB	ELWB
Gross Vehicle Mass	7,800	7,800
Gross Combination Mass	11,300	11,300
Front Loading Limit	3,100	3,100
Rear Loading Limit	4,700	4,700
Total CAB Chassis Mass*	2,810	2,835
Front CAB Chassis Mass	1,875	1,925
Rear CAB Chassis Mass	935	910



<Long Wheel Base>



<Extra Long Wheel Base>



## 24/7 ROADSIDE ASSISTANCE

You're never alone on the road in a Hyundai EX series truck. When you're covered by Hyundai's 24/7 nationwide truck roadside assist, you'll never find yourself stranded.

24/7 TRUCK  
ROADSIDE  
ASSISTANCE

## BEST IN CLASS WARRANTY

Wherever you and your load go in a Hyundai EX Series truck, the roads are paved with the peace-of-mind Australia's best-in-class 3-year 200,000km warranty.

BEST IN CLASS  
3YEAR  
200,000km  
WARRANTY

Hyundai Commercial Vehicles Australia (HCVA) 376 Edgar Street, Bankstown NSW 2200

Hyundai Commercial Vehicles Australia (HCVA) reserves the right to alter vehicle specifications and equipment levels without notice. Some equipment featured on the vehicle in this brochure may not be available in Australia or may be optional to the extent permitted by the law. HCVA shall not be liable to any person as a result of reliance on the content of this brochure.

Please consult your Hyundai Commercial Vehicle Dealer for the latest specifications, equipment levels, options, prices, colours and vehicle availability. Metallic Paint is an optional extra. Note: Information in this brochure is current as at 26/09/2017.